



WiseNet *Lite*

The Power of Simplicity

Product Comparison Chart

IR Bullet / Dome



WiseNet Lite
SNO-L6083R

WiseNet Lite
SNO-L6013R

WiseNet Lite
SNO-L5083R

WiseNet Lite
SND-L6013

WiseNet Lite
SND-L6012

WiseNet Lite
SND-L5013

| | SNO-L6083R | SNO-L6013R | SNO-L5083R | SND-L6013 | SND-L6012 | SND-L5013 |
|------------------------------|---|---|--|---|---|---|
| Resolution | 2MP | 2MP | 1.3MP | 2MP | 2MP | 1.3MP |
| Imaging Device | 1/2.9" 2.19M CMOS | 1/2.9" 2.19M CMOS | 1/3" 1.37M CMOS | 1/2.9" 2.19M CMOS | 1/2.9" 2.19M CMOS | 1/3" 1.37M CMOS |
| Video Compression Format | H.264, MJPEG | H.264, MJPEG | H.264, MJPEG | H.264, MJPEG | H.264, MJPEG | H.264, MJPEG |
| Resolution / Max. Frame Rate | 2M / 30fps | 2M / 30fps | 1.3M / 30fps | 2M / 30fps | 2M / 30fps | 1.3M / 30fps |
| Streaming Capacity | Multiple (Up to 3 profiles) | Multiple (Up to 3 profiles) | Multiple (Up to 3 profiles) | Multiple (Up to 3 profiles) | Multiple (Up to 3 profiles) | Multiple (Up to 3 profiles) |
| Max. User Access | 6 (Unicast) | 6 (Unicast) | 6 (Unicast) | 6 (Unicast) | 6 (Unicast) | 6 (Unicast) |
| Min. Illumination (30 IRE) | Color : 0.095Lux B/W : 0Lux (IR LED on) | Color : 0.15Lux B/W : 0Lux (IR LED on) | Color : 0.04Lux B/W : 0Lux (IR LED on) | Color : 0.15Lux B/W : 0.15Lux | Color : 0.15Lux B/W : 0.15Lux | Color : 0.085Lux B/W : 0.085Lux |
| Video Output | - | - | - | - | - | - |
| Lens | 2.8 ~ 12mm (4.3x) V/F (F1.4) | 3.6mm fixed (F1.8) | 2.8 ~ 12mm (4.3x) V/F (F1.4) | 3.6mm fixed (F1.8) | 2.8mm fixed (F1.8) | 3.6mm fixed (F1.8) |
| Angular Field of View | H : 103.8°(Wide) ~ 32.4°(Tele) / V : 53.7°(Wide) ~ 18.4°(Tele) / D : 121.9°(Wide) ~ 37.1°(Tele) | H : 86.5° / V : 47.8° / D : 101.2° | H : 88.2°(Wide) ~ 28.6°(Tele) / V : 69.4°(Wide) ~ 23.0°(Tele) / D : 117.3°(Wide) ~ 36.2°(Tele) | H : 86.5° / V : 47.8° / D : 101.2° | H : 110° / V : 61° / D : 125° | H : 74° / V : 58° / D : 97° |
| Focus Control | Manual | - | Manual | - | - | - |
| IR Viewable Length | 20m (65.62ft) | 20m (65.62ft) | 20m (65.62ft) | - | - | - |
| Pan / Tilt / Rotate | - | - | - | 0° ~ 350° / 0° ~ 67° / 0° ~ 355° | 0° ~ 350° / 0° ~ 67° / 0° ~ 355° | 0° ~ 350° / 0° ~ 67° / 0° ~ 355° |
| Day & Night | True (ICR) | True (ICR) | True (ICR) | Electrical | Electrical | Electrical |
| Backlight Compensation | BLC, DWDR | BLC, DWDR | BLC, DWDR | BLC, DWDR | BLC, DWDR | BLC, DWDR |
| Digital Noise Reduction | SSNR | SSNR | SSNR | SSNR | SSNR | SSNR |
| Digital Image Stabilization | - | - | - | - | - | - |
| Intelligent Video Analytics | Motion detection with metadata, Tampering | Motion detection with metadata, Tampering | Motion detection with metadata, Tampering | Motion detection with metadata, Tampering | Motion detection with metadata, Tampering | Motion detection with metadata, Tampering |
| Protocol | ONVIF profile S & G, SUNAPI | ONVIF profile S & G, SUNAPI | ONVIF profile S & G, SUNAPI | ONVIF profile S & G, SUNAPI | ONVIF profile S & G, SUNAPI | ONVIF profile S & G, SUNAPI |
| Alarm I/O | - | - | - | - | - | - |
| Audio | Uni-directional | Uni-directional | Uni-directional | Uni-directional | Uni-directional | Uni-directional |
| Edge Storage | micro SD/SDHC, NAS | micro SD/SDHC, NAS | micro SD/SDHC, NAS | micro SD/SDHC, NAS | micro SD/SDHC, NAS | micro SD/SDHC, NAS |
| Environment Protection | IP66, IK10 | IP66 | IP66, IK10 | - | - | - |
| Operating Temperature | -30°C ~ +55°C (-22°F ~ +131°F) *Start up above -20°C (-4°F) | -30°C ~ +55°C (-22°F ~ +131°F) *Start up above -20°C (-4°F) | -30°C ~ +55°C (-22°F ~ +131°F) *Start up above -20°C (-4°F) | -10°C ~ +55°C (+14°F ~ +131°F) | -10°C ~ +55°C (+14°F ~ +131°F) | -10°C ~ +55°C (+14°F ~ +131°F) |
| Power | PoE (Max. 5.9W) | PoE (Max. 5.7W) | PoE (Max. 5.9W) | PoE (Max. 2.4W) | PoE (Max. 2.4W) | PoE (Max. 2.4W) |
| Dimensions (WxHxD) / Weight | Ø70.0 x 246.0mm (Ø2.76" x 9.69") 700g (1.54 lb) (Without sunshield) | Ø58.6 x 165.2mm (Ø2.31" x 6.5") 250g (0.55 lb) (Without sunshield) | Ø70.0 x 246.0mm (Ø2.76" x 9.69") 650g (1.43 lb) (Without sunshield) | Ø110.0 x 86.0mm (Ø4.33" x 3.39") 250g (0.55 lb) | Ø110.0 x 86.0mm (Ø4.33" x 3.39") 240g (0.53 lb) | Ø110.0 x 86.0mm (Ø4.33" x 3.39") 240g (0.53 lb) |
| Additional Features | Lens Distortion Correction, Hallway view | Lens Distortion Correction, Hallway view | Lens Distortion Correction, Hallway view | Lens Distortion Correction, Hallway view | Lens Distortion Correction, Hallway view | Lens Distortion Correction, Hallway view |

Product Comparison Chart

IR Dome / IR Vandal-Resistant



WiseNet Lite
SND-L6083R



WiseNet Lite
SND-L6013R



WiseNet Lite
SND-L5083R



WiseNet Lite
SNV-L6083R



WiseNet Lite
SNV-L5083R

| | SND-L6083R | SND-L6013R | SND-L5083R | SNV-L6083R | SNV-L5083R |
|------------------------------|---|---|--|---|--|
| Resolution | 2MP | 2MP | 1.3MP | 2MP | 1.3MP |
| Imaging Device | 1/2.9" 2.19M CMOS | 1/2.9" 2.19M CMOS | 1/3" 1.37M CMOS | 1/2.9" 2.19M CMOS | 1/3" 1.37M CMOS |
| Video Compression Format | H.264, MJPEG | H.264, MJPEG | H.264, MJPEG | H.264, MJPEG | H.264, MJPEG |
| Resolution / Max. Frame Rate | 2M / 30fps | 2M / 30fps | 1.3M / 30fps | 2M / 30fps | 1.3M / 30fps |
| Streaming Capacity | Multiple (Up to 3 profiles) | Multiple (Up to 3 profiles) | Multiple (Up to 3 profiles) | Multiple (Up to 3 profiles) | Multiple (Up to 3 profiles) |
| Max. User Access | 6 (Unicast) | 6 (Unicast) | 6 (Unicast) | 6 (Unicast) | 6 (Unicast) |
| Min. Illumination (30 IRE) | Color : 0.095Lux B/W : 0Lux (IR LED on) | Color : 0.15Lux B/W : 0Lux (IR LED on) | Color : 0.04Lux B/W : 0Lux (IR LED on) | Color : 0.095Lux B/W : 0Lux (IR LED on) | Color : 0.04Lux B/W : 0Lux (IR LED on) |
| Video Output | - | - | - | - | - |
| Lens | 2.8 ~ 12mm (4.3x) V/F (F1.4) | 3.6mm fixed (F1.8) | 2.8 ~ 12mm (4.3x) V/F (F1.4) | 2.8 ~ 12mm (4.3x) V/F (F1.4) | 2.8 ~ 12mm (4.3x) V/F (F1.4) |
| Angular Field of View | H : 103.8° (Wide) ~ 32.4° (Tele) / V : 53.7° (Wide) ~ 18.4° (Tele) / D : 121.9° (Wide) ~ 37.1° (Tele) | H : 86.5° / V : 47.8° / D : 101.2° | H : 88.2° (Wide) ~ 28.6° (Tele) / V : 69.4° (Wide) ~ 23.0° (Tele) / D : 117.3° (Wide) ~ 36.2° (Tele) | H : 103.8° (Wide) ~ 32.4° (Tele) / V : 53.7° (Wide) ~ 18.4° (Tele) / D : 121.9° (Wide) ~ 37.1° (Tele) | H : 88.2° (Wide) ~ 28.6° (Tele) / V : 69.4° (Wide) ~ 23.0° (Tele) / D : 117.3° (Wide) ~ 36.2° (Tele) |
| Focus Control | Manual | - | Manual | Manual | Manual |
| IR Viewable Length | 15m (49.21ft) | 15m (49.21ft) | 15m (49.21ft) | 20m (65.62ft) | 20m (65.62ft) |
| Pan / Tilt / Rotate | 0° ~ 350° / 0° ~ 67° / 0° ~ 355° | 0° ~ 350° / 0° ~ 67° / 0° ~ 355° | 0° ~ 350° / 0° ~ 67° / 0° ~ 355° | 0° ~ 350° / 0° ~ 67° / 0° ~ 355° | 0° ~ 350° / 0° ~ 67° / 0° ~ 355° |
| Day & Night | True (ICR) | True (ICR) | True (ICR) | True (ICR) | True (ICR) |
| Backlight Compensation | BLC, DWDR | BLC, DWDR | BLC, DWDR | BLC, DWDR | BLC, DWDR |
| Digital Noise Reduction | SSNR | SSNR | SSNR | SSNR | SSNR |
| Digital Image Stabilization | - | - | - | - | - |
| Intelligent Video Analytics | Motion detection with metadata, Tampering | Motion detection with metadata, Tampering | Motion detection with metadata, Tampering | Motion detection with metadata, Tampering | Motion detection with metadata, Tampering |
| Protocol | ONVIF profile S & G, SUNAPI | ONVIF profile S & G, SUNAPI | ONVIF profile S & G, SUNAPI | ONVIF profile S & G, SUNAPI | ONVIF profile S & G, SUNAPI |
| Alarm I/O | - | - | - | - | - |
| Audio | Uni-directional | Uni-directional | Uni-directional | Uni-directional | Uni-directional |
| Edge Storage | micro SD/SDHC, NAS | micro SD/SDHC, NAS | micro SD/SDHC, NAS | micro SD/SDHC, NAS | micro SD/SDHC, NAS |
| Environment Protection | - | - | - | IP66, IK10 | IP66, IK10 |
| Operating Temperature | -10°C ~ +55°C (+14°F ~ +131°F) | -10°C ~ +55°C (+14°F ~ +131°F) | -10°C ~ +55°C (+14°F ~ +131°F) | -30°C ~ +55°C (-22°F ~ +131°F) *Start up above -20°C (-4°F) | -30°C ~ +55°C (-22°F ~ +131°F) *Start up above -20°C (-4°F) |
| Power | PoE (Max. 5.4W) | PoE (Max. 5.9W) | PoE (Max. 5.4W) | PoE (Max. 5.8W) | PoE (Max. 5.8W) |
| Dimensions (WxHxD) / Weight | Ø119.8 x 98.8mm (Ø4.72" x 3.89") 290g (0.64 lb) | Ø110.0 x 86.0mm (Ø4.33" x 3.39") 245g (0.54 lb) | Ø119.8 x 98.8mm (Ø4.72" x 3.89") 290g (0.64 lb) | Ø137.0 x 106.1mm (Ø5.39" x 4.18") 670g (1.48 lb) | Ø137.0 x 106.1mm (Ø5.39" x 4.18") 670g (1.48 lb) |
| Additional Features | Lens Distortion Correction, Hallway view | Lens Distortion Correction, Hallway view | Lens Distortion Correction, Hallway view | Lens Distortion Correction, Hallway view | Lens Distortion Correction, Hallway view |

WiseNet *Lite*

The Power of Simplicity

Samsung introduces WiseNet Lite series, an affordable product line offering simple but essential features ideal to secure small to medium sized applications. Find your compact camera solution with the professional WiseNet Lite series.

Affordable, compact cameras with professional features

- 1.3Megapixel to 2megapixel resolution
- Hallway view (Rotate 90°/270°)
- Motion detection, Tampering
- Audio support, DWDR
- IR viewable length up to 20m
- Framerate max.30fps at all resolution (H.264)
- LDC (Lens Distortion Correction)
- Edge storage (micro SD/SDHC 32GB, NAS)
- IP66/IK10 (Outdoor cameras)
- Compact design



Broad line-up of indoor and outdoor cameras

WiseNet Lite series offers a wide range of indoor and outdoor Bullet / Dome / Vandal cameras to cover multiple application needs for retails, banks, residences or offices delivering crisp and clear image qualities.

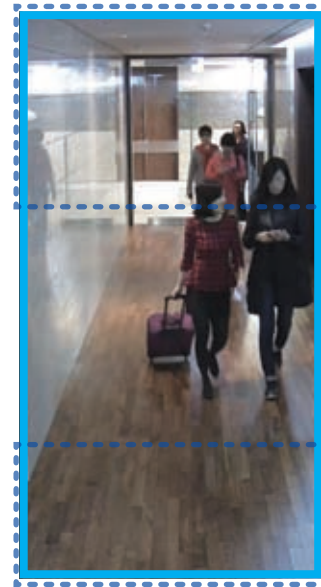
| | IR BULLET | DOMES | IR DOME | IR VANDAL |
|-------|---|---|--|---|
| 2MP |  SNO-L6083R SNO-L6013R |  SND-L6013 SND-L6012 |  SND-L6083R SND-L6013R |  SNV-L6083R |
| 1.3MP |  SNO-L5083R |  SND-L5013 |  SND-L5083R |  SNV-L5083R |

Hallway view for monitoring vertical shaped areas

In a vertical shaped environment, such as corridors, hallways, tunnels, or aisles, traditional horizontal shaped videos focus on unnecessary edges of the area causing bandwidth and storage waste. By utilizing the hallway view, 3 : 4 and 9 : 16 aspect ratio image is created : a vertically oriented video that maximizes image quality in narrow locations.



Conventional



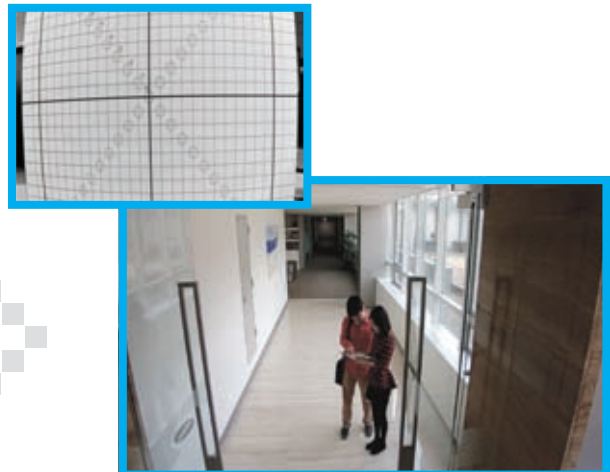
Hallway View

Minimize image distortion by Lens Distortion Correction

Lens Distortion may typically appear in videos causing straight lines close to the edge curve outwards. With the Lens Distortion Correction technology available on the WiseNet Lite series, imperfections in images can be easily repaired.



Conventional



Lens Distortion Correction

Specialized for small to medium sized applications

WiseNet Lite series are ready to solve any challenges you may face especially on small to medium sized applications.

- By using WiseNet Lite series and PoE NVR together as a network solution you can save both installation time and cost, suitable for small to medium sized applications.
- Install cameras on entrance/lobbies, parking lots, elevators, hallways, aisles and more.

This professional surveillance camera will enable you to create a secure environment meeting your needs.



Get 3 types of video streams from a single camera

WiseNet Lite series has the ability to set 3 types of video streams in a different resolution, framerate, etc. to different users or devices. Streams can be viewed Live, mobile, or recorded. It's up to your choice!



Edge storage supported

Make your security system simple and cost-effective by recording videos directly on micro SD/SDHC memory card (32GB) and NAS (Network Attached Storage device).

Audio function supported

Built-in mic (Indoor cameras) and line-in (Outdoor cameras) function supported will enhance security by enabling you to monitor videos with sounds.

Protect your device with waterproof plug

Connect the waterproof plug with the lan cable connection to reduce installation costs and get waterproof protection.



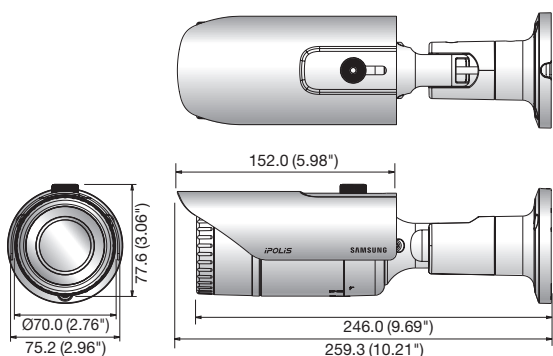


Key Features

- Max. 2M (1920 x 1080) resolution
- 2.8 ~ 12mm (4.3x) varifocal lens
- 0.095Lux@F1.4 (Color), 0Lux@F1.4 (B/W : IR LED on)
- 30fps@all resolutions (H.264)
- H.264, MJPEG dual codec, Multiple streaming
- Motion detection, Tampering, DWDR
- micro SD/SDHC memory slot, PoE
- IR viewable length 20m, IP66, IK10
- Hallway view support (Rotate 90°/270°)
- LDC support (Lens Distortion Correction)

Dimensions

Unit : mm (inch)



SNO-L6083RN/P

| | |
|-----------------------------------|--|
| VIDEO | |
| Imaging Device | 1/2.9" 2.19M CMOS |
| Total Pixels | 2,000(H) x 1,121(V) |
| Effective Pixels | 1,984(H) x 1,105(V) |
| Scanning System | Progressive |
| Min. Illumination | Color : 0.095Lux (1/30sec, F1.4), 0.002Lux (2sec, F1.4) B/W : 0Lux (IR LED on) |
| LENS | |
| Focal Length (Zoom Ratio) | 2.8 ~ 12mm (4.3x) varifocal |
| Max. Aperture Ratio | F1.4 |
| Angular Field of View | H : 103.8°(Wide) ~ 32.4°(Tele) / V : 53.7°(Wide) ~ 18.4°(Tele) / D : 121.9°(Wide) ~ 37.1°(Tele) |
| Min. Object Distance | 0.5m (1.64ft) |
| Focus Control | Manual |
| Lens Type | DC auto iris |
| Mount Type | Board type |
| OPERATIONAL | |
| IR Viewable Length | 20m (65.62ft) |
| Camera Title | Off / On (Displayed up to 15 characters) |
| Day & Night | True Day & Night |
| Backlight Compensation | Off / BLC |
| Contrast Enhancement (DWDR) | SSDR (Samsung Super Dynamic Range) (Off / On) |
| Digital Noise Reduction | SSNR (Off / On) |
| Motion Detection | Off / On (4ea rectangular zones) |
| Privacy Masking | Off / On (6ea rectangular zones) |
| Gain Control | Off / Low / Middle / High |
| White Balance | ATW / AWC / Manual / Indoor / Outdoor |
| LDC (Lens Distortion Correction) | Off / On (5 levels with min / max) |
| Electronic Shutter Speed | Minimum / Maximum / Anti flicker |
| Flip / Mirror | Flip / Mirror / Hallway view |
| Intelligent Video Analytics | Motion detection with metadata, Tampering |
| Alarm Triggers | Motion detection, Tampering detection, SD card error, NAS error |
| Alarm Events | File upload via FTP and E-mail, Local storage recording at event, Notification via E-mail |
| NETWORK | |
| Ethernet | RJ-45 (10/100BASE-T) |
| Video Compression Format | H.264, MJPEG |
| Resolution | 1920 x 1080, 1280 x 960, 1280 x 720, 1024 x 768, 800 x 600, 720 x 576, 640 x 480, 320 x 240 |
| Max. Framerate | H.264 : Max. 30fps at all resolutions MJPEG : Max. 1fps at 1920 x 1080, 1280 x 960, 1280 x 720, 1024 x 768, Max. 15fps at other resolution |
| Video Quality Adjustment | H.264 : Target bitrate level control, MJPEG : Quality level control |
| Bitrate Control Method | H.264 : CBR or VBR, MJPEG : VBR |
| Streaming Capability | Multiple streaming (Up to 3 profiles) |
| Audio I/O | Line in |
| Audio Compression Format | G.711 u-law / G.726 selectable G.726 (ADPCM) 8KHz, G.711 8KHz, G.726 : 16Kbps, 24Kbps, 32Kbps, 40Kbps |
| Audio Communication | Uni-directional audio |
| IP | IPv4, IPv6 |
| Protocol | TCP/IP, UDP/IP, RTP(UDP), RTP(TCP), RTCP, RTSP, NTP, HTTP, HTTPS, SSL, DHCP, PPPoE, FTP, SMTp, ICMP, IGMP, SNMPv1/v2c/v3(MIB-2), ARP, DNS, DDNS, QoS, PIM-SM, UPnP, Bonjour |
| Security | HTTPS(SSL) login authentication, Digest login authentication IP address filtering, User access log, 802.1x authentication |
| Streaming Method | Unicast / Multicast |
| Max. User Access | 6 users at unicast mode |
| Storage | micro SD/SDHC max. 32G, NAS - Motion images recorded in the SD memory card can be downloaded - Manual recording at local PC |
| Application Programming Interface | ONVIF Profile S, G, SUNAPI (HTTP API) |
| Webpage Language | English, French, German, Spanish, Italian, Chinese, Korean, Russian, Japanese, Swedish, Danish, Portuguese, Turkish, Polish, Czech, Rumanian, Serbian, Dutch, Croatian, Hungarian, Greek, Norwegian, Finnish |
| Web Viewer | Supported OS : Windows XP / VISTA / 7 / 8 / 8.1, MAC OS X 10.7 ~ 10.10 Supported Browser : Microsoft Internet Explorer (Ver. 8 ~ 11), Mozilla Firefox (Ver. 9 ~ 35), Google Chrome (Ver. 15 ~ 40), Apple Safari (Ver. 8.0.2(Mac OS X 10.10), 7.0.6 (Mac OS X 10.9), 6.0.2 (Mac OS X 10.8, 10.7 only), 5.1.7) * Mac OS X only |
| Central Management Software | SmartViewer |
| ENVIRONMENTAL | |
| Operating Temperature / Humidity | -30°C ~ +55°C (-22°F ~ +131°F) / Less than 90% RH *Start up should be done at above -20°C (-4°F) |
| Storage Temperature / Humidity | -30°C ~ +60°C (-22°F ~ +140°F) / Less than 90% RH |
| Ingress Protection | IP66 |
| Vandal Resistance | IK10 |
| ELECTRICAL | |
| Input Voltage / Current | PoE (IEEE802.3af, Class2) |
| Power Consumption | Max. 5.9W |
| MECHANICAL | |
| Color / Material | Dark gray / Metal |
| Dimensions (WxH) | Ø70.0 x 246.0mm (Ø2.76" x 9.69") (Without sunshield) |
| Weight | 700g (1.54 lb) |

* Data recorded on an SD memory card may be lost or damaged by data access during power-off, mechanical shock, memory card detachment, or other operations. Data loss or damage can also occur when a memory card reaches end of life, which varies according to operational conditions. No guarantee is given against damage (including passive damage).

* The latest product information / specification can be found at www.samsungsecurity.com

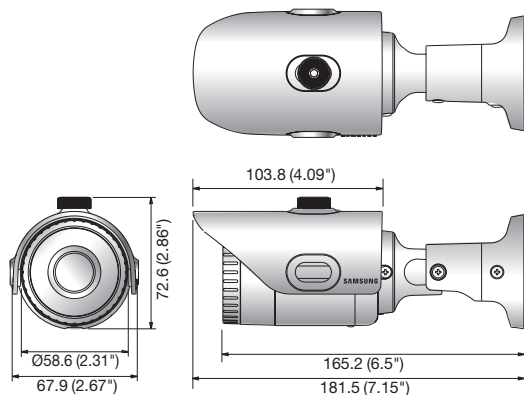


Key Features

- Max. 2M (1920 x 1080) resolution
- 3.6mm fixed lens
- 0.15Lux@F1.8 (Color), 0Lux@F1.8 (B/W : IR LED on)
- 30fps@all resolutions (H.264)
- H.264, MJPEG dual codec, Multiple streaming
- Motion detection, Tampering, DWDR
- micro SD/SDHC memory slot, PoE
- IR viewable length 20m, IP66
- Hallway view support (Rotate 90°/270°)
- LDC support (Lens Distortion Correction)

Dimensions

Unit : mm (inch)



SNO-L6013RN/P

| | |
|-----------------------------------|--|
| VIDEO | |
| Imaging Device | 1/2.9" 2.19M CMOS |
| Total Pixels | 2,000(H) x 1,121(V) |
| Effective Pixels | 1,984(H) x 1,105(V) |
| Scanning System | Progressive |
| Min. Illumination | Color : 0.15Lux (1/30sec, F1.8), 0.003Lux (2sec, F1.8) B/W : 0Lux (IR LED on) |
| LENS | |
| Focal Length (Zoom Ratio) | 3.6mm fixed |
| Max. Aperture Ratio | F1.8 |
| Angular Field of View | H : 86.5° / V : 47.8° / D : 101.2° |
| Min. Object Distance | 0.5m (1.64ft) |
| Lens Type | Fixed |
| Mount Type | Board type |
| OPERATIONAL | |
| IR Viewable Length | 20m (65.62ft) |
| Camera Title | Off / On (Displayed up to 15 characters) |
| Day & Night | True Day & Night |
| Backlight Compensation | Off / BLC |
| Contrast Enhancement (DWDR) | SSDR (Samsung Super Dynamic Range) (Off / On) |
| Digital Noise Reduction | SSNR (Off / On) |
| Motion Detection | Off / On (4ea rectangular zones) |
| Privacy Masking | Off / On (6ea rectangular zones) |
| Gain Control | Off / Low / Middle / High |
| White Balance | ATW / AWC / Manual / Indoor / Outdoor |
| LDC (Lens Distortion Correction) | Off / On (5 levels with min / max) |
| Electronic Shutter Speed | Minimum / Maximum / Anti flicker |
| Flip / Mirror | Flip / Mirror / Hallway view |
| Intelligent Video Analytics | Motion detection with metadata, Tampering |
| Alarm Triggers | Motion detection, Tampering detection, SD card error, NAS error |
| Alarm Events | File upload via FTP and E-mail, Local storage recording at event, Notification via E-mail |
| NETWORK | |
| Ethernet | RJ-45 (10/100BASE-T) |
| Video Compression Format | H.264, MJPEG |
| Resolution | 1920 x 1080, 1280 x 960, 1280 x 720, 1024 x 768, 800 x 600, 720 x 576, 640 x 480, 320 x 240 |
| Max. Framerate | H.264 : Max. 30fps at all resolutions MJPEG : Max. 1fps at 1920 x 1080, 1280 x 960, 1280 x 720, 1024 x 768, Max. 15fps at other resolution |
| Video Quality Adjustment | H.264 : Target bitrate level control, MJPEG : Quality level control |
| Bitrate Control Method | H.264 : CBR or VBR, MJPEG : VBR |
| Streaming Capability | Multiple streaming (Up to 3 profiles) |
| Audio I/O | Line in |
| Audio Compression Format | G.711 u-law / G.726 selectable G.726 (ADPCM) 8KHz, G.711 8KHz, G.726 : 16Kbps, 24Kbps, 32Kbps, 40Kbps |
| Audio Communication | Uni-directional audio |
| IP | IPv4, IPv6 |
| Protocol | TCP/IP, UDP/IP, RTP(UDP), RTP(TCP), RTCP, RTSP, NTP, HTTP, HTTPS, SSL, DHCP, PPPoE, FTP, SMTP, ICMP, IGMP, SNMPv1/v2c/v3(MIB-2), ARP, DNS, DDNS, QoS, PIM-SM, UPnP, Bonjour |
| Security | HTTPS(SSL) login authentication, Digest login authentication IP address filtering, User access log, 802.1x authentication |
| Streaming Method | Unicast / Multicast |
| Max. User Access | 6 users at unicast mode |
| Storage | micro SD/SDHC max. 32G, NAS - Motion images recorded in the SD memory card can be downloaded - Manual recording at local PC |
| Application Programming Interface | ONVIF Profile S, G, SUNAPI (HTTP API) |
| Webpage Language | English, French, German, Spanish, Italian, Chinese, Korean, Russian, Japanese, Swedish, Danish, Portuguese, Turkish, Polish, Czech, Rumanian, Serbian, Dutch, Croatian, Hungarian, Greek, Norwegian, Finnish |
| Web Viewer | Supported OS : Windows XP / VISTA / 7 / 8 / 8.1, MAC OS X 10.7 ~ 10.10 Supported Browser : Microsoft Internet Explorer (Ver. 8 ~ 11), Mozilla Firefox (Ver. 9 ~ 35), Google Chrome (Ver. 15 ~ 40), Apple Safari (Ver. 8.0.2(Mac OS X 10.10), 7.0.6 (Mac OS X 10.9), 6.0.2 (Mac OS X 10.8, 10.7 only), 5.1.7) * Mac OS X only |
| Central Management Software | SmartViewer |
| ENVIRONMENTAL | |
| Operating Temperature / Humidity | -30°C ~ +55°C (-22°F ~ +131°F) / Less than 90% RH *Start up should be done at above -20°C (-4°F) |
| Storage Temperature / Humidity | -30°C ~ +60°C (-22°F ~ +140°F) / Less than 90% RH |
| Ingress Protection | IP66 |
| ELECTRICAL | |
| Input Voltage / Current | PoE (IEEE802.3af, Class2) |
| Power Consumption | Max. 5.7W |
| MECHANICAL | |
| Color / Material | Dark gray / Plastic |
| Dimensions (WxH) | Ø58.6 x 165.2mm (Ø2.31" x 6.5") (Without sunshield) |
| Weight | 250g (0.55 lb) |

* The latest product information / specification can be found at www.samsungsecurity.com

* Data recorded on an SD memory card may be lost or damaged by data access during power-off, mechanical shock, memory card detachment, or other operations. Data loss or damage can also occur when a memory card reaches end of life, which varies according to operational conditions. No guarantee is given against damage (including passive damage).

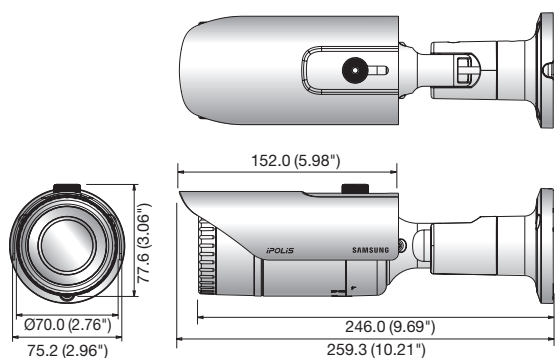


Key Features

- Max. 1.3M (1280 x 1024) resolution
- 16 : 9 HD (720P) resolution support
- 2.8 ~ 12mm (4.3x) varifocal lens
- 0.04Lux@F1.4 (Color), 0Lux@F1.4 (B/W : IR LED on)
- 30fps@all resolutions (H.264)
- H.264, MJPEG dual codec, Multiple streaming
- Motion detection, Tampering, DWDR
- micro SD/SDHC memory slot, PoE
- IR viewable length 20m, IP66, IK10
- Hallway view support (Rotate 90°/270°)
- LDC support (Lens Distortion Correction)

Dimensions

Unit : mm (inch)



SNO-L5083RN/P

| | |
|-----------------------------------|--|
| VIDEO | |
| Imaging Device | 1/3" 1.37M CMOS |
| Total Pixels | 1,312(H) x 1,069(V) |
| Effective Pixels | 1,305(H) x 1,049(V) |
| Scanning System | Progressive |
| Min. Illumination | Color : 0.04Lux (1/30sec, F1.4), 0.001Lux (2sec, F1.4) B/W : 0Lux (IR LED on) |
| LENS | |
| Focal Length (Zoom Ratio) | 2.8 ~ 12mm (4.3x) varifocal |
| Max. Aperture Ratio | F1.4 |
| Angular Field of View | H : 88.2°(Wide) ~ 28.6°(Tele) / V : 69.4°(Wide) ~ 23.0°(Tele) / D : 117.3°(Wide) ~ 36.2°(Tele) |
| Min. Object Distance | 0.5m (1.64ft) |
| Focus Control | Manual |
| Lens Type | DC auto iris |
| Mount Type | Board type |
| OPERATIONAL | |
| IR Viewable Length | 20m (65.62ft) |
| Camera Title | Off / On (Displayed up to 15 characters) |
| Day & Night | True Day & Night |
| Backlight Compensation | Off / BLC |
| Contrast Enhancement (DWDR) | SSDR (Samsung Super Dynamic Range) (Off / On) |
| Digital Noise Reduction | SSNR (Off / On) |
| Motion Detection | Off / On (4ea rectangular zones) |
| Privacy Masking | Off / On (6ea rectangular zones) |
| Gain Control | Off / Low / Middle / High |
| White Balance | ATW / AWC / Manual / Indoor / Outdoor |
| LDC (Lens Distortion Correction) | Off / On (5 levels with min / max) |
| Electronic Shutter Speed | Minimum / Maximum / Anti flicker |
| Flip / Mirror | Flip / Mirror / Hallway view |
| Intelligent Video Analytics | Motion detection with metadata, Tampering |
| Alarm Triggers | Motion detection, Tampering detection, SD card error, NAS error |
| Alarm Events | File upload via FTP and E-mail, Local storage recording at event, Notification via E-mail |
| NETWORK | |
| Ethernet | RJ-45 (10/100BASE-T) |
| Video Compression Format | H.264, MJPEG |
| Resolution | 1280 x 1024, 1280 x 960, 1280 x 720, 1024 x 768, 800 x 600, 720 x 576, 640 x 480, 320 x 240 |
| Max. Framerate | H.264 : Max. 30fps at all resolutions MJPEG : Max. 1fps at 1280 x 1024, 1280 x 960, 1280 x 720, 1024 x 768, Max. 15fps at other resolution |
| Video Quality Adjustment | H.264 : Target bitrate level control, MJPEG : Quality level control |
| Bitrate Control Method | H.264 : CBR or VBR, MJPEG : VBR |
| Streaming Capability | Multiple streaming (Up to 3 profiles) |
| Audio I/O | Line in |
| Audio Compression Format | G.711 u-law / G.726 selectable G.726 (ADPCM) 8KHz, G.711 8KHz, G.726 : 16Kbps, 24Kbps, 32Kbps, 40Kbps |
| Audio Communication | Uni-directional audio |
| IP | IPv4, IPv6 |
| Protocol | TCP/IP, UDP/IP, RTP(UDP), RTP(TCP), RTCP, RTSP, NTP, HTTP, HTTPS, SSL, DHCP, PPPoE, FTP, SMTP, ICMP, IGMP, SNMPv1/v2c/v3(MIB-2), ARP, DNS, DDNS, QoS, PIM-SM, UPnP, Bonjour |
| Security | HTTPS(SSL) login authentication, Digest login authentication IP address filtering, User access log, 802.1x authentication |
| Streaming Method | Unicast / Multicast |
| Max. User Access | 6 users at unicast mode |
| Storage | micro SD/SDHC max. 32G, NAS - Motion images recorded in the SD memory card can be downloaded - Manual recording at local PC |
| Application Programming Interface | ONVIF Profile S, G, SUNAPI (HTTP API) |
| Webpage Language | English, French, German, Spanish, Italian, Chinese, Korean, Russian, Japanese, Swedish, Danish, Portuguese, Turkish, Polish, Czech, Rumanian, Serbian, Dutch, Croatian, Hungarian, Greek, Norwegian, Finnish |
| Web Viewer | Supported OS : Windows XP / VISTA / 7 / 8 / 8.1, MAC OS X 10.7 ~ 10.10 Supported Browser : Microsoft Internet Explorer (Ver. 8 ~ 11), Mozilla Firefox (Ver. 9 ~ 35), Google Chrome (Ver. 15 ~ 40), Apple Safari (Ver. 8.0.2(Mac OS X 10.10), 7.0.6 (Mac OS X 10.9), 6.0.2 (Mac OS X 10.8, 10.7 only), 5.1.7) * Mac OS X only |
| Central Management Software | SmartViewer |
| ENVIRONMENTAL | |
| Operating Temperature / Humidity | -30°C ~ +55°C (-22°F ~ +131°F) / Less than 90% RH *Start up should be done at above -20°C (-4°F) |
| Storage Temperature / Humidity | -30°C ~ +60°C (-22°F ~ +140°F) / Less than 90% RH |
| Ingress Protection | IP66 |
| Vandal Resistance | IK10 |
| ELECTRICAL | |
| Input Voltage / Current | PoE (IEEE802.3af, Class2) |
| Power Consumption | Max. 5.9W |
| MECHANICAL | |
| Color / Material | Dark gray / Metal |
| Dimensions (WxH) | Ø70.0 x 246.0mm (Ø2.76" x 9.69") (Without sunshield) |
| Weight | 650g (1.43 lb) |

* Data recorded on an SD memory card may be lost or damaged by data access during power-off, mechanical shock, memory card detachment, or other operations. Data loss or damage can also occur when a memory card reaches end of life, which varies according to operational conditions. No guarantee is given against damage (including passive damage).

* The latest product information / specification can be found at www.samsungsecurity.com

SND-L6013

2Megapixel Full HD Network Dome Camera

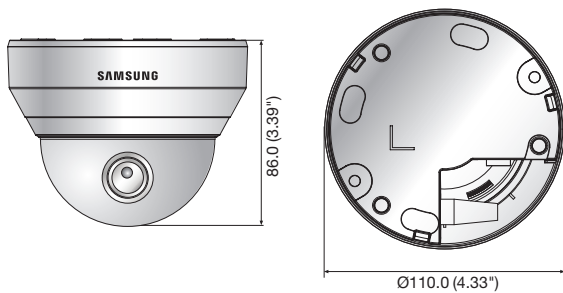


Key Features

- Max. 2M (1920 x 1080) resolution
- 3.6mm fixed lens
- 0.15Lux@F1.8 (Color), 0.15Lux@F1.8 (B/W)
- 30fps@all resolutions (H.264)
- H.264, MJPEG dual codec, Multiple streaming
- Motion detection, Tampering, DWDR
- micro SD/SDHC memory slot, PoE
- Hallway view support (Rotate 90°/270°)
- LDC support (Lens Distortion Correction)

Dimensions

Unit : mm (inch)



Accessories (Optional)



SBP-300HM7 SBP-300LM SBP-300CM SBP-300WM1 SBP-300WM SBP-300B SBP-300PM SBP-300KM

* Data recorded on an SD memory card may be lost or damaged by data access during power-off, mechanical shock, memory card detachment, or other operations. Data loss or damage can also occur when a memory card reaches end of life, which varies according to operational conditions. No guarantee is given against damage (including passive damage).

SND-L6013N/P

| | |
|-----------------------------------|--|
| VIDEO | |
| Imaging Device | 1/2.9" 2.19M CMOS |
| Total Pixels | 2,000(H) x 1,121(V) |
| Effective Pixels | 1,984(H) x 1,105(V) |
| Scanning System | Progressive |
| Min. Illumination | Color : 0.15Lux (1/30sec, F1.8), 0.003Lux (2sec, F1.8) B/W : 0.15Lux (1/30sec, F1.8) |
| LENS | |
| Focal Length (Zoom Ratio) | 3.6mm fixed |
| Max. Aperture Ratio | F1.8 |
| Angular Field of View | H : 86.5° / V : 47.8° / D : 101.2° |
| Min. Object Distance | 0.5m (1.64ft) |
| Lens Type | Fixed |
| Mount Type | Board type |
| PAN / TILT / ROTATE | |
| Pan / Tilt / Rotate Range | 0° ~ 350° / 0° ~ 67° / 0° ~ 355° |
| OPERATIONAL | |
| Camera Title | Off / On (Displayed up to 15 characters) |
| Day & Night | Electric Day & Night |
| Backlight Compensation | Off / BLC |
| Contrast Enhancement (DWDR) | SSDR (Samsung Super Dynamic Range) (Off / On) |
| Digital Noise Reduction | SSNR (Off / On) |
| Motion Detection | Off / On (4ea rectangular zones) |
| Privacy Masking | Off / On (6ea rectangular zones) |
| Gain Control | Off / Low / Middle / High |
| White Balance | ATW / AWC / Manual / Indoor / Outdoor |
| LDC (Lens Distortion Correction) | Off / On (5 levels with min / max) |
| Electronic Shutter Speed | Minimum / Maximum / Anti flicker |
| Flip / Mirror | Flip / Mirror / Hallway view |
| Intelligent Video Analytics | Motion detection with metadata, Tampering |
| Alarm Triggers | Motion detection, Tampering detection, SD card error, NAS error |
| Alarm Events | File upload via FTP and E-mail, Local storage recording at event, Notification via E-mail |
| NETWORK | |
| Ethernet | RJ-45 (10/100BASE-T) |
| Video Compression Format | H.264, MJPEG |
| Resolution | 1920 x 1080, 1280 x 960, 1280 x 720, 1024 x 768, 800 x 600, 720 x 576, 640 x 480, 320 x 240 |
| Max. Framerate | H.264 : Max. 30fps at all resolutions MJPEG : Max. 1fps at 1920 x 1080, 1280 x 960, 1280 x 720, 1024 x 768, Max. 15fps at other resolution |
| Video Quality Adjustment | H.264 : Target bitrate level control, MJPEG : Quality level control |
| Bitrate Control Method | H.264 : CBR or VBR, MJPEG : VBR |
| Streaming Capability | Multiple streaming (Up to 3 profiles) |
| Audio I/O | Built-in mic |
| Audio Compression Format | G.711 u-law / G.726 selectable G.726 (ADPCM) 8KHz, G.711 8KHz, G.726 : 16Kbps, 24Kbps, 32Kbps, 40Kbps |
| Audio Communication | Uni-directional audio |
| IP | IPv4, IPv6 |
| Protocol | TCP/IP, UDP/IP, RTP(UDP), RTP(TCP), RTCP, RTSP, NTP, HTTP, HTTPS, SSL, DHCP, PPPoE, FTP, SMTP, ICMP, IGMP, SNMPv1/v2c/v3(MIB-2), ARP, DNS, DDNS, QoS, PIM-SM, UPnP, Bonjour |
| Security | HTTPS(SSL) login authentication, Digest login authentication IP address filtering, User access log, 802.1x authentication |
| Streaming Method | Unicast / Multicast |
| Max. User Access | 6 users at unicast mode |
| Storage | micro SD/SDHC max. 32G, NAS - Motion images recorded in the SD memory card can be downloaded - Manual recording at local PC |
| Application Programming Interface | ONVIF Profile S, G, SUNAPI (HTTP API) |
| Webpage Language | English, French, German, Spanish, Italian, Chinese, Korean, Russian, Japanese, Swedish, Danish, Portuguese, Turkish, Polish, Czech, Rumanian, Serbian, Dutch, Croatian, Hungarian, Greek, Norwegian, Finnish |
| Web Viewer | Supported OS : Windows XP / VISTA / 7 / 8 / 8.1, MAC OS X 10.7 ~ 10.10 Supported Browser : Microsoft Internet Explorer (Ver. 8 ~ 11), Mozilla Firefox (Ver. 9 ~ 35), Google Chrome (Ver. 15 ~ 40), Apple Safari (Ver. 8.0.2(Mac OS X 10.10), 7.0.6 (Mac OS X 10.9), 6.0.2 (Mac OS X 10.8, 10.7 only), 5.1.7) * Mac OS X only |
| Central Management Software | SmartViewer |
| ENVIRONMENTAL | |
| Operating Temperature / Humidity | -10°C ~ +55°C (+14°F ~ +131°F) / Less than 90% RH |
| Storage Temperature / Humidity | -30°C ~ +60°C (-22°F ~ +140°F) / Less than 90% RH |
| ELECTRICAL | |
| Input Voltage / Current | PoE (IEEE802.3af, Class2) |
| Power Consumption | Max. 2.4W |
| MECHANICAL | |
| Color / Material | Ivory / Plastic |
| Dimensions (WxH) | Ø110.0 x 86.0mm (Ø4.33" x 3.39") |
| Weight | 250g (0.55 lb) |

* The latest product information / specification can be found at www.samsungsecurity.com

SND-L6012

2Megapixel Full HD Network Dome Camera

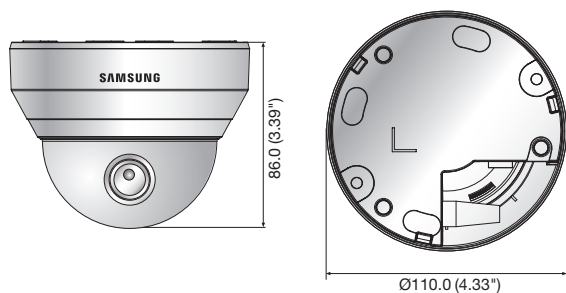


Key Features

- Max. 2M (1920 x 1080) resolution
- 2.8mm fixed lens
- 0.15Lux@F1.8 (Color), 0.15Lux@F1.8 (B/W)
- 30fps@all resolutions (H.264)
- H.264, MJPEG dual codec, Multiple streaming
- Motion detection, Tampering, DWDR
- micro SD/SDHC memory slot, PoE
- Hallway view support (Rotate 90°/270°)
- LDC support (Lens Distortion Correction)

Dimensions

Unit : mm (inch)



Accessories (Optional)



SBP-300HM7 SBP-300LM SBP-300CM SBP-300WM1 SBP-300WM SBP-300B SBP-300PM SBP-300KM

* Data recorded on an SD memory card may be lost or damaged by data access during power-off, mechanical shock, memory card detachment, or other operations. Data loss or damage can also occur when a memory card reaches end of life, which varies according to operational conditions. No guarantee is given against damage (including passive damage).

SND-L6012N/P

| | |
|-----------------------------------|--|
| VIDEO | |
| Imaging Device | 1/2.9" 2.19M CMOS |
| Total Pixels | 2,000(H) x 1,121(V) |
| Effective Pixels | 1,984(H) x 1,105(V) |
| Scanning System | Progressive |
| Min. Illumination | Color : 0.15Lux (1/30sec, F1.8), 0.003Lux (2sec, F1.8) B/W : 0.15Lux (1/30sec, F1.8) |
| LENS | |
| Focal Length (Zoom Ratio) | 2.8mm fixed |
| Max. Aperture Ratio | F1.8 |
| Angular Field of View | H : 110° / V : 61° / D : 125° |
| Min. Object Distance | 0.5m (1.64ft) |
| Lens Type | Fixed |
| Mount Type | Board type |
| PAN / TILT / ROTATE | |
| Pan / Tilt / Rotate Range | 0° ~ 350° / 0° ~ 67° / 0° ~ 355° |
| OPERATIONAL | |
| Camera Title | Off / On (Displayed up to 15 characters) |
| Day & Night | Electric Day & Night |
| Backlight Compensation | Off / BLC |
| Contrast Enhancement (DWDR) | SSDR (Samsung Super Dynamic Range) (Off / On) |
| Digital Noise Reduction | SSNR (Off / On) |
| Motion Detection | Off / On (4ea rectangular zones) |
| Privacy Masking | Off / On (6ea rectangular zones) |
| Gain Control | Off / Low / Middle / High |
| White Balance | ATW / AWC / Manual / Indoor / Outdoor |
| LDC (Lens Distortion Correction) | Off / On (5 levels with min / max) |
| Electronic Shutter Speed | Minimum / Maximum / Anti flicker |
| Flip / Mirror | Flip / Mirror / Hallway view |
| Intelligent Video Analytics | Motion detection with metadata, Tampering |
| Alarm Triggers | Motion detection, Tampering detection, SD card error, NAS error |
| Alarm Events | File upload via FTP and E-mail, Local storage recording at event, Notification via E-mail |
| NETWORK | |
| Ethernet | RJ-45 (10/100BASE-T) |
| Video Compression Format | H.264, MJPEG |
| Resolution | 1920 x 1080, 1280 x 960, 1280 x 720, 1024 x 768, 800 x 600, 720 x 576, 640 x 480, 320 x 240 |
| Max. Framerate | H.264 : Max. 30fps at all resolutions MJPEG : Max. 1fps at 1920 x 1080, 1280 x 960, 1280 x 720, 1024 x 768, Max. 15fps at other resolution |
| Video Quality Adjustment | H.264 : Target bitrate level control, MJPEG : Quality level control |
| Bitrate Control Method | H.264 : CBR or VBR, MJPEG : VBR |
| Streaming Capability | Multiple streaming (Up to 3 profiles) |
| Audio I/O | Built-in mic |
| Audio Compression Format | G.711 u-law / G.726 selectable G.726 (ADPCM) 8KHz, G.711 8KHz, G.726 : 16Kbps, 24Kbps, 32Kbps, 40Kbps |
| Audio Communication | Uni-directional audio |
| IP | IPv4, IPv6 |
| Protocol | TCP/IP, UDP/IP, RTP(UDP), RTP(TCP), RTCP, RTSP, NTP, HTTP, HTTPS, SSL, DHCP, PPPoE, FTP, SMTP, ICMP, IGMP, SNMPv1/v2c/v3(MIB-2), ARP, DNS, DDNS, QoS, PIM-SM, UPnP, Bonjour |
| Security | HTTPS(SSL) login authentication, Digest login authentication IP address filtering, User access log, 802.1x authentication |
| Streaming Method | Unicast / Multicast |
| Max. User Access | 6 users at unicast mode |
| Storage | micro SD/SDHC max. 32G, NAS - Motion images recorded in the SD memory card can be downloaded - Manual recording at local PC |
| Application Programming Interface | ONVIF Profile S, G, SUNAPI (HTTP API) |
| Webpage Language | English, French, German, Spanish, Italian, Chinese, Korean, Russian, Japanese, Swedish, Danish, Portuguese, Turkish, Polish, Czech, Rumanian, Serbian, Dutch, Croatian, Hungarian, Greek, Norwegian, Finnish |
| Web Viewer | Supported OS : Windows XP / VISTA / 7 / 8 / 8.1, MAC OS X 10.7 ~ 10.10 Supported Browser : Microsoft Internet Explorer (Ver. 8 ~ 11), Mozilla Firefox (Ver. 9 ~ 35), Google Chrome (Ver. 15 ~ 40), Apple Safari (Ver. 8.0.2(Mac OS X 10.10), 7.0.6 (Mac OS X 10.9), 6.0.2 (Mac OS X 10.8, 10.7 only), 5.1.7) * Mac OS X only |
| Central Management Software | SmartViewer |
| ENVIRONMENTAL | |
| Operating Temperature / Humidity | -10°C ~ +55°C (+14°F ~ +131°F) / Less than 90% RH |
| Storage Temperature / Humidity | -30°C ~ +60°C (-22°F ~ +140°F) / Less than 90% RH |
| ELECTRICAL | |
| Input Voltage / Current | PoE (IEEE802.3af, Class2) |
| Power Consumption | Max. 2.4W |
| MECHANICAL | |
| Color / Material | Ivory / Plastic |
| Dimensions (WxH) | 110.0 x 86.0mm (4.33" x 3.39") |
| Weight | 240g (0.53 lb) |

* The latest product information / specification can be found at www.samsungsecurity.com

SND-L5013

1.3Megapixel HD Network Dome Camera

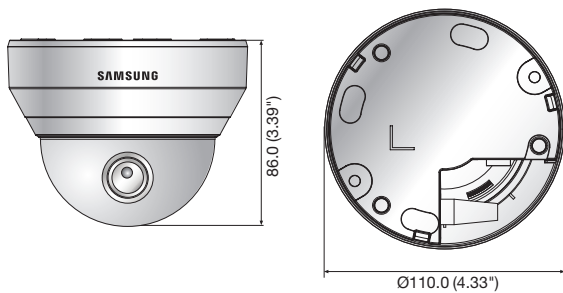


Key Features

- Max. 1.3M (1280 x 1024) resolution
- 16 : 9 HD (720P) resolution support
- 3.6mm fixed lens
- 0.085Lux@F1.8 (Color), 0.085Lux@F1.8 (B/W)
- 30fps@all resolutions (H.264)
- H.264, MJPEG dual codec, Multiple streaming
- Motion detection, Tampering, DWDR
- micro SD/SDHC memory slot, PoE
- Hallway view support (Rotate 90°/270°)
- LDC support (Lens Distortion Correction)

Dimensions

Unit : mm (inch)



Accessories (Optional)



SBP-300HM7 SBP-300LM SBP-300CM SBP-300WM1 SBP-300WM SBP-300B SBP-300PM SBP-300KM

* Data recorded on an SD memory card may be lost or damaged by data access during power-off, mechanical shock, memory card detachment, or other operations. Data loss or damage can also occur when a memory card reaches end of life, which varies according to operational conditions. No guarantee is given against damage (including passive damage).

SND-L5013N/P

| | |
|-----------------------------------|--|
| VIDEO | |
| Imaging Device | 1/3" 1.37M CMOS |
| Total Pixels | 1,312(H) x 1,069(V) |
| Effective Pixels | 1,305(H) x 1,049(V) |
| Scanning System | Progressive |
| Min. Illumination | Color : 0.085Lux (1/30sec, F1.8), 0.0008Lux (2sec, F1.8) B/W : 0.085Lux (1/30sec, F1.8) |
| LENS | |
| Focal Length (Zoom Ratio) | 3.6mm fixed |
| Max. Aperture Ratio | F1.8 |
| Angular Field of View | H : 74° / V : 58° / D : 97° |
| Min. Object Distance | 0.5m (1.64ft) |
| Lens Type | Fixed |
| Mount Type | Board type |
| PAN / TILT / ROTATE | |
| Pan / Tilt / Rotate Range | 0° ~ 350° / 0° ~ 67° / 0° ~ 355° |
| OPERATIONAL | |
| Camera Title | Off / On (Displayed up to 15 characters) |
| Day & Night | Electric Day & Night |
| Backlight Compensation | Off / BLC |
| Contrast Enhancement (DWDR) | SSDR (Samsung Super Dynamic Range) (Off / On) |
| Digital Noise Reduction | SSNR (Off / On) |
| Motion Detection | Off / On (4ea rectangular zones) |
| Privacy Masking | Off / On (6ea rectangular zones) |
| Gain Control | Off / Low / Middle / High |
| White Balance | ATW / AWC / Manual / Indoor / Outdoor |
| LDC (Lens Distortion Correction) | Off / On (5 levels with min / max) |
| Electronic Shutter Speed | Minimum / Maximum / Anti flicker |
| Flip / Mirror | Flip / Mirror / Hallway view |
| Intelligent Video Analytics | Motion detection with metadata, Tampering |
| Alarm Triggers | Motion detection, Tampering detection, SD card error, NAS error |
| Alarm Events | File upload via FTP and E-mail, Local storage recording at event, Notification via E-mail |
| NETWORK | |
| Ethernet | RJ-45 (10/100BASE-T) |
| Video Compression Format | H.264, MJPEG |
| Resolution | 1280 x 1024, 1280 x 960, 1280 x 720, 1024 x 768, 800 x 600, 720 x 576, 640 x 480, 320 x 240 |
| Max. Framerate | H.264 : Max. 30fps at all resolutions MJPEG : Max. 1fps at 1280 x 1024, 1280 x 960, 1280 x 720, 1024 x 768, Max. 15fps at other resolution |
| Video Quality Adjustment | H.264 : Target bitrate level control, MJPEG : Quality level control |
| Bitrate Control Method | H.264 : CBR or VBR, MJPEG : VBR |
| Streaming Capability | Multiple streaming (Up to 3 profiles) |
| Audio I/O | Built-in mic |
| Audio Compression Format | G.711 u-law / G.726 selectable G.726 (ADPCM) 8KHz, G.711 8KHz, G.726 : 16Kbps, 24Kbps, 32Kbps, 40Kbps |
| Audio Communication | Uni-directional audio |
| IP | IPv4, IPv6 |
| Protocol | TCP/IP, UDP/IP, RTP(UDP), RTP(TCP), RTCP, RTSP, NTP, HTTP, HTTPS, SSL, DHCP, PPPoE, FTP, SMTP, ICMP, IGMP, SNMPv1/v2c/v3(MIB-2), ARP, DNS, DDNS, QoS, PIM-SM, UPnP, Bonjour |
| Security | HTTPS(SSL) login authentication, Digest login authentication IP address filtering, User access log, 802.1x authentication |
| Streaming Method | Unicast / Multicast |
| Max. User Access | 6 users at unicast mode |
| Storage | micro SD/SDHC max. 32G, NAS - Motion images recorded in the SD memory card can be downloaded - Manual recording at local PC |
| Application Programming Interface | ONVIF Profile S, G, SUNAPI (HTTP API) |
| Webpage Language | English, French, German, Spanish, Italian, Chinese, Korean, Russian, Japanese, Swedish, Danish, Portuguese, Turkish, Polish, Czech, Rumanian, Serbian, Dutch, Croatian, Hungarian, Greek, Norwegian, Finnish |
| Web Viewer | Supported OS : Windows XP / VISTA / 7 / 8 / 8.1, MAC OS X 10.7 ~ 10.10 Supported Browser : Microsoft Internet Explorer (Ver. 8 ~ 11), Mozilla Firefox (Ver. 9 ~ 35), Google Chrome (Ver. 15 ~ 40), Apple Safari (Ver. 8.0.2(Mac OS X 10.10), 7.0.6 (Mac OS X 10.9), 6.0.2 (Mac OS X 10.8, 10.7 only), 5.1.7) * Mac OS X only |
| Central Management Software | SmartViewer |
| ENVIRONMENTAL | |
| Operating Temperature / Humidity | -10°C ~ +55°C (+14°F ~ +131°F) / Less than 90% RH |
| Storage Temperature / Humidity | -30°C ~ +60°C (-22°F ~ +140°F) / Less than 90% RH |
| ELECTRICAL | |
| Input Voltage / Current | PoE (IEEE802.3af, Class2) |
| Power Consumption | Max. 2.4W |
| MECHANICAL | |
| Color / Material | Ivory / Plastic |
| Dimensions (WxH) | Ø110.0 x 86.0mm (Ø4.33" x 3.39") |
| Weight | 240g (0.53 lb) |

* The latest product information / specification can be found at www.samsungsecurity.com

SND-L6083R

2Megapixel Full HD Network IR Dome Camera

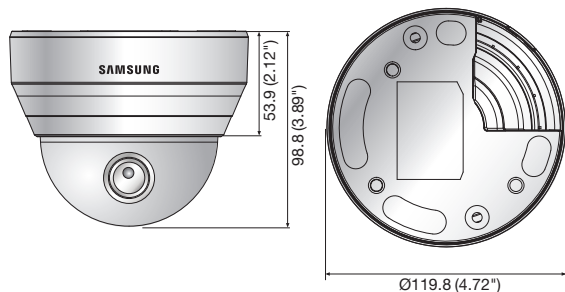


Key Features

- Max. 2M (1920 x 1080) resolution
- 2.8 ~ 12mm (4.3x) varifocal lens
- 0.095Lux@F1.4 (Color), 0Lux@F1.4 (B/W : IR LED on)
- 30fps@all resolutions (H.264)
- H.264, MJPEG dual codec, Multiple streaming
- Motion detection, Tampering, DWDR
- micro SD/SDHC memory slot, PoE
- IR viewable length 15m
- Hallway view support (Rotate 90°/270°)
- LDC support (Lens Distortion Correction)

Dimensions

Unit : mm (inch)



Accessories (Optional)



* Data recorded on an SD memory card may be lost or damaged by data access during power-off, mechanical shock, memory card detachment, or other operations. Data loss or damage can also occur when a memory card reaches end of life, which varies according to operational conditions. No guarantee is given against damage (including passive damage).

SND-L6083RN/P

| | |
|-----------------------------------|--|
| VIDEO | |
| Imaging Device | 1/2.9" 2.19M CMOS |
| Total Pixels | 2,000(H) x 1,121(V) |
| Effective Pixels | 1,984(H) x 1,105(V) |
| Scanning System | Progressive |
| Min. Illumination | Color : 0.095Lux (1/30sec, F1.4), 0.002Lux (2sec, F1.4) B/W : 0Lux (IR LED on) |
| LENS | |
| Focal Length (Zoom Ratio) | 2.8 ~ 12mm (4.3x) varifocal |
| Max. Aperture Ratio | F1.4 |
| Angular Field of View | H : 103.8°(Wide) ~ 32.4°(Tele) / V : 53.7°(Wide) ~ 18.4°(Tele) / D : 121.9°(Wide) ~ 37.1°(Tele) |
| Min. Object Distance | 0.5m (1.64ft) |
| Focus Control | Manual |
| Lens Type | DC auto iris |
| Mount Type | Board type |
| PAN / TILT / ROTATE | |
| Pan / Tilt / Rotate Range | 0° ~ 350° / 0° ~ 67° / 0° ~ 355° |
| OPERATIONAL | |
| IR Viewable Length | 15m (49.21ft) |
| Camera Title | Off / On (Displayed up to 15 characters) |
| Day & Night | True Day & Night |
| Backlight Compensation | Off / BLC |
| Contrast Enhancement (DWDR) | SSDR (Samsung Super Dynamic Range) (Off / On) |
| Digital Noise Reduction | SSNR (Off / On) |
| Motion Detection | Off / On (4ea rectangular zones) |
| Privacy Masking | Off / On (6ea rectangular zones) |
| Gain Control | Off / Low / Middle / High |
| White Balance | ATW / AWC / Manual / Indoor / Outdoor |
| LDC (Lens Distortion Correction) | Off / On (5 levels with min / max) |
| Electronic Shutter Speed | Minimum / Maximum / Anti flicker |
| Flip / Mirror | Flip / Mirror / Hallway view |
| Intelligent Video Analytics | Motion detection with metadata, Tampering |
| Alarm Triggers | Motion detection, Tampering detection, SD card error, NAS error |
| Alarm Events | File upload via FTP and E-mail, Local storage recording at event, Notification via E-mail |
| NETWORK | |
| Ethernet | RJ-45 (10/100BASE-T) |
| Video Compression Format | H.264, MJPEG |
| Resolution | 1920 x 1080, 1280 x 960, 1280 x 720, 1024 x 768, 800 x 600, 720 x 576, 640 x 480, 320 x 240 |
| Max. Framerate | H.264 : Max. 30fps at all resolutions MJPEG : Max. 1fps at 1920 x 1080, 1280 x 960, 1280 x 720, 1024 x 768, Max. 15fps at other resolution |
| Video Quality Adjustment | H.264 : Target bitrate level control, MJPEG : Quality level control |
| Bitrate Control Method | H.264 : CBR or VBR, MJPEG : VBR |
| Streaming Capability | Multiple streaming (Up to 3 profiles) |
| Audio I/O | Built-in mic |
| Audio Compression Format | G.711 u-law / G.726 selectable G.726 (ADPCM) 8KHz, G.711 8KHz, G.726 : 16Kbps, 24Kbps, 32Kbps, 40Kbps |
| Audio Communication | Uni-directional audio |
| IP | IPv4, IPv6 |
| Protocol | TCP/IP, UDP/IP, RTP(UDP), RTP(TCP), RTCP, RTSP, NTP, HTTP, HTTPS, SSL, DHCP, PPPoE, FTP, SMTP, ICMP, IGMP, SNMPv1/v2c/v3(MIB-2), ARP, DNS, DDNS, QoS, PIM-SM, UPnP, Bonjour |
| Security | HTTPS(SSL) login authentication, Digest login authentication IP address filtering, User access log, 802.1x authentication |
| Streaming Method | Unicast / Multicast |
| Max. User Access | 6 users at unicast mode |
| Storage | micro SD/SDHC max. 32G, NAS - Motion images recorded in the SD memory card can be downloaded - Manual recording at local PC |
| Application Programming Interface | ONVIF Profile S, G, SUNAPI (HTTP API) |
| Webpage Language | English, French, German, Spanish, Italian, Chinese, Korean, Russian, Japanese, Swedish, Danish, Portuguese, Turkish, Polish, Czech, Rumanian, Serbian, Dutch, Croatian, Hungarian, Greek, Norwegian, Finnish |
| Web Viewer | Supported OS : Windows XP / VISTA / 7 / 8 / 8.1, MAC OS X 10.7 ~ 10.10 Supported Browser : Microsoft Internet Explorer (Ver. 8 ~ 11), Mozilla Firefox (Ver. 9 ~ 35), Google Chrome (Ver. 15 ~ 40), Apple Safari (Ver. 8.0.2(Mac OS X 10.10), 7.0.6 (Mac OS X 10.9), 6.0.2 (Mac OS X 10.8, 10.7 only), 5.1.7) * Mac OS X only |
| Central Management Software | SmartViewer |
| ENVIRONMENTAL | |
| Operating Temperature / Humidity | -10°C ~ +55°C (+14°F ~ +131°F) / Less than 90% RH |
| Storage Temperature / Humidity | -30°C ~ +60°C (-22°F ~ +140°F) / Less than 90% RH |
| ELECTRICAL | |
| Input Voltage / Current | PoE (IEEE802.3af, Class2) |
| Power Consumption | Max. 5.4W |
| MECHANICAL | |
| Color / Material | Ivory / Plastic |
| Dimensions (WxH) | Ø119.8 x 98.8mm (Ø4.72" x 3.89") |
| Weight | 290g (0.64 lb) |

* The latest product information / specification can be found at www.samsungsecurity.com

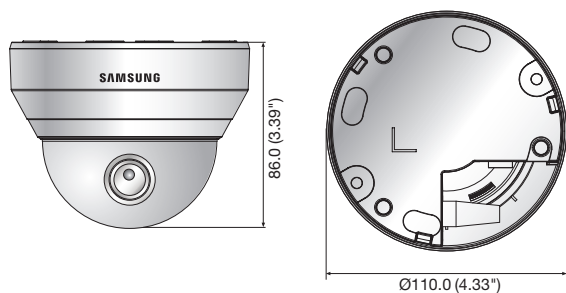


Key Features

- Max. 2M (1920 x 1080) resolution
- 3.6mm fixed lens
- 0.15Lux@F1.8 (Color), 0Lux@F1.8 (B/W : IR LED on)
- 30fps@all resolutions (H.264)
- H.264, MJPEG dual codec, Multiple streaming
- Motion detection, Tampering, DWDR
- micro SD/SDHC memory slot, PoE
- IR viewable length 15m
- Hallway view support (Rotate 90°/270°)
- LDC support (Lens Distortion Correction)

Dimensions

Unit : mm (inch)



Accessories (Optional)



SBP-300HM7 SBP-300LM SBP-300CM SBP-300WM1 SBP-300WM SBP-300B SBP-300PM SBP-300KM

SND-L6013RN/P

| | |
|-----------------------------------|--|
| VIDEO | |
| Imaging Device | 1/2.9" 2.19M CMOS |
| Total Pixels | 2,000(H) x 1,121(V) |
| Effective Pixels | 1,984(H) x 1,105(V) |
| Scanning System | Progressive |
| Min. Illumination | Color : 0.15Lux (1/30sec, F1.8), 0.003Lux (2sec, F1.8) B/W : 0Lux (IR LED on) |
| LENS | |
| Focal Length (Zoom Ratio) | 3.6mm fixed |
| Max. Aperture Ratio | F1.8 |
| Angular Field of View | H : 86.5° / V : 47.8° / D : 101.2° |
| Min. Object Distance | 0.5m (1.64ft) |
| Lens Type | Fixed |
| Mount Type | Board type |
| PAN / TILT / ROTATE | |
| Pan / Tilt / Rotate Range | 0° ~ 350° / 0° ~ 67° / 0° ~ 355° |
| OPERATIONAL | |
| IR Viewable Length | 15m (49.21ft) |
| Camera Title | Off / On (Displayed up to 15 characters) |
| Day & Night | True Day & Night |
| Backlight Compensation | Off / BLC |
| Contrast Enhancement (DWDR) | SSDR (Samsung Super Dynamic Range) (Off / On) |
| Digital Noise Reduction | SSNR (Off / On) |
| Motion Detection | Off / On (4ea rectangular zones) |
| Privacy Masking | Off / On (6ea rectangular zones) |
| Gain Control | Off / Low / Middle / High |
| White Balance | ATW / AWC / Manual / Indoor / Outdoor |
| LDC (Lens Distortion Correction) | Off / On (5 levels with min / max) |
| Electronic Shutter Speed | Minimum / Maximum / Anti flicker |
| Flip / Mirror | Flip / Mirror / Hallway view |
| Intelligent Video Analytics | Motion detection with metadata, Tampering |
| Alarm Triggers | Motion detection, Tampering detection, SD card error, NAS error |
| Alarm Events | File upload via FTP and E-mail, Local storage recording at event, Notification via E-mail |
| NETWORK | |
| Ethernet | RJ-45 (10/100BASE-T) |
| Video Compression Format | H.264, MJPEG |
| Resolution | 1920 x 1080, 1280 x 960, 1280 x 720, 1024 x 768, 800 x 600, 720 x 576, 640 x 480, 320 x 240 |
| Max. Framerate | H.264 : Max. 30fps at all resolutions MJPEG : Max. 1fps at 1920 x 1080, 1280 x 960, 1280 x 720, 1024 x 768, Max. 15fps at other resolution |
| Video Quality Adjustment | H.264 : Target bitrate level control, MJPEG : Quality level control |
| Bitrate Control Method | H.264 : CBR or VBR, MJPEG : VBR |
| Streaming Capability | Multiple streaming (Up to 3 profiles) |
| Audio I/O | Built-in mic |
| Audio Compression Format | G.711 u-law / G.726 selectable G.726 (ADPCM) 8KHz, G.711 8KHz, G.726 : 16Kbps, 24Kbps, 32Kbps, 40Kbps |
| Audio Communication | Uni-directional audio |
| IP | IPv4, IPv6 |
| Protocol | TCP/IP, UDP/IP, RTP(UDP), RTP(TCP), RTCP, RTSP, NTP, HTTP, HTTPS, SSL, DHCP, PPPoE, FTP, SFTP, ICMP, IGMP, SNMPv1/v2c/v3(MIB-2), ARP, DNS, DDNS, QoS, PIM-SM, UPnP, Bonjour |
| Security | HTTPS(SSL) login authentication, Digest login authentication IP address filtering, User access log, 802.1x authentication |
| Streaming Method | Unicast / Multicast |
| Max. User Access | 6 users at unicast mode |
| Storage | micro SD/SDHC max. 32G, NAS - Motion images recorded in the SD memory card can be downloaded - Manual recording at local PC |
| Application Programming Interface | ONVIF Profile S, G, SUNAPI (HTTP API) |
| Webpage Language | English, French, German, Spanish, Italian, Chinese, Korean, Russian, Japanese, Swedish, Danish, Portuguese, Turkish, Polish, Czech, Rumanian, Serbian, Dutch, Croatian, Hungarian, Greek, Norwegian, Finnish |
| Web Viewer | Supported OS : Windows XP / VISTA / 7 / 8 / 8.1, MAC OS X 10.7 ~ 10.10 Supported Browser : Microsoft Internet Explorer (Ver. 8 ~ 11), Mozilla Firefox (Ver. 9 ~ 35), Google Chrome (Ver. 15 ~ 40), Apple Safari (Ver. 8.0.2(Mac OS X 10.10), 7.0.6 (Mac OS X 10.9), 6.0.2 (Mac OS X 10.8, 10.7 only), 5.1.7) * Mac OS X only |
| Central Management Software | SmartViewer |
| ENVIRONMENTAL | |
| Operating Temperature / Humidity | -10°C ~ +55°C (+14°F ~ +131°F) / Less than 90% RH |
| Storage Temperature / Humidity | -30°C ~ +60°C (-22°F ~ +140°F) / Less than 90% RH |
| ELECTRICAL | |
| Input Voltage / Current | PoE (IEEE802.3af, Class2) |
| Power Consumption | Max. 5.9W |
| MECHANICAL | |
| Color / Material | Ivory / Plastic |
| Dimensions (WxH) | Ø110.0 x 86.0mm (Ø4.33" x 3.39") |
| Weight | 245g (0.54 lb) |

* The latest product information / specification can be found at www.samsungsecurity.com

* Data recorded on an SD memory card may be lost or damaged by data access during power-off, mechanical shock, memory card detachment, or other operations. Data loss or damage can also occur when a memory card reaches end of life, which varies according to operational conditions. No guarantee is given against damage (including passive damage).

SND-L5083R

1.3Megapixel HD Network IR Dome Camera

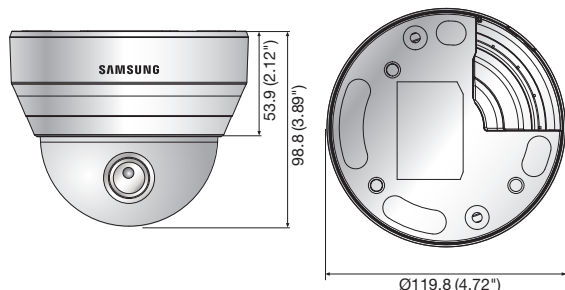


Key Features

- Max. 1.3M (1280 x 1024) resolution
- 16 : 9 HD (720P) resolution support
- 2.8 ~ 12mm (4.3x) varifocal lens
- 0.04Lux@F1.4 (Color), 0Lux@F1.4 (B/W : IR LED on)
- 30fps@all resolutions (H.264)
- H.264, MJPEG dual codec, Multiple streaming
- Motion detection, Tampering, DWRD
- micro SD/SDHC memory slot, PoE
- IR viewable length 15m
- Hallway view support (Rotate 90°/270°)
- LDC support (Lens Distortion Correction)

Dimensions

Unit : mm (inch)



Accessories (Optional)



| SND-L5083RN/P | |
|-----------------------------------|--|
| VIDEO | |
| Imaging Device | 1/3" 1.37M CMOS |
| Total Pixels | 1,312(H) x 1,069(V) |
| Effective Pixels | 1,305(H) x 1,049(V) |
| Scanning System | Progressive |
| Min. Illumination | Color : 0.04Lux (1/30sec, F1.4), 0.001Lux (2sec, F1.4) B/W : 0Lux (IR LED on) |
| LENS | |
| Focal Length (Zoom Ratio) | 2.8 ~ 12mm (4.3x) varifocal |
| Max. Aperture Ratio | F1.4 |
| Angular Field of View | H : 88.2°(Wide) ~ 28.6°(Tele) / V : 69.4°(Wide) ~ 23.0°(Tele) / D : 117.3°(Wide) ~ 36.2°(Tele) |
| Min. Object Distance | 0.5m (1.64ft) |
| Focus Control | Manual |
| Lens Type | DC auto iris |
| Mount Type | Board type |
| PAN / TILT / ROTATE | |
| Pan / Tilt / Rotate Range | 0° ~ 350° / 0° ~ 67° / 0° ~ 355° |
| OPERATIONAL | |
| IR Viewable Length | 15m (49.21ft) |
| Camera Title | Off / On (Displayed up to 15 characters) |
| Day & Night | True Day & Night |
| Backlight Compensation | Off / BLC |
| Contrast Enhancement (DWRD) | SSDR (Samsung Super Dynamic Range) (Off / On) |
| Digital Noise Reduction | SSNR (Off / On) |
| Motion Detection | Off / On (4ea rectangular zones) |
| Privacy Masking | Off / On (6ea rectangular zones) |
| Gain Control | Off / Low / Middle / High |
| White Balance | ATW / AWC / Manual / Indoor / Outdoor |
| LDC (Lens Distortion Correction) | Off / On (5 levels with min / max) |
| Electronic Shutter Speed | Minimum / Maximum / Anti flicker |
| Flip / Mirror | Flip / Mirror / Hallway view |
| Intelligent Video Analytics | Motion detection with metadata, Tampering |
| Alarm Triggers | Motion detection, Tampering detection, SD card error, NAS error |
| Alarm Events | File upload via FTP and E-mail, Local storage recording at event, Notification via E-mail |
| NETWORK | |
| Ethernet | RJ-45 (10/100BASE-T) |
| Video Compression Format | H.264, MJPEG |
| Resolution | 1280 x 1024, 1280 x 960, 1280 x 720, 1024 x 768, 800 x 600, 720 x 576, 640 x 480, 320 x 240 |
| Max. Framerate | H.264 : Max. 30fps at all resolutions MJPEG : Max. 1fps at 1280 x 1024, 1280 x 960, 1280 x 720, 1024 x 768, Max. 15fps at other resolution |
| Video Quality Adjustment | H.264 : Target bitrate level control, MJPEG : Quality level control |
| Bitrate Control Method | H.264 : CBR or VBR, MJPEG : VBR |
| Streaming Capability | Multiple streaming (Up to 3 profiles) |
| Audio I/O | Built-in mic |
| Audio Compression Format | G.711 u-law / G.726 selectable G.726 (ADPCM) 8kHz, G.711 8kHz, G.726 : 16Kbps, 24Kbps, 32Kbps, 40Kbps |
| Audio Communication | Uni-directional audio |
| IP | IPv4, IPv6 |
| Protocol | TCP/IP, UDP/IP, RTP(UDP), RTP(TCP), RTCP, RTSP, NTP, HTTP, HTTPS, SSL, DHCP, PPPoE, FTP, SMTP, ICMP, IGMP, SNMPv1/v2c/v3(MIB-2), ARP, DNS, DDNS, QoS, PIM-SM, UPnP, Bonjour |
| Security | HTTPS(SSL) login authentication, Digest login authentication IP address filtering, User access log, 802.1x authentication |
| Streaming Method | Unicast / Multicast |
| Max. User Access | 6 users at unicast mode |
| Storage | micro SD/SDHC max. 32G, NAS - Motion images recorded in the SD memory card can be downloaded - Manual recording at local PC |
| Application Programming Interface | ONVIF Profile S, G, SUNAPI (HTTP API) |
| Webpage Language | English, French, German, Spanish, Italian, Chinese, Korean, Russian, Japanese, Swedish, Danish, Portuguese, Turkish, Polish, Czech, Rumanian, Serbian, Dutch, Croatian, Hungarian, Greek, Norwegian, Finnish |
| Web Viewer | Supported OS : Windows XP / VISTA / 7 / 8 / 8.1, MAC OS X 10.7 ~ 10.10 Supported Browser : Microsoft Internet Explorer (Ver. 8 ~ 11), Mozilla Firefox (Ver. 9 ~ 35), Google Chrome (Ver. 15 ~ 40), Apple Safari (Ver. 8.0.2(Mac OS X 10.10), 7.0.6 (Mac OS X 10.9), 6.0.2 (Mac OS X 10.8, 10.7 only), 5.1.7) * Mac OS X only |
| Central Management Software | SmartViewer |
| ENVIRONMENTAL | |
| Operating Temperature / Humidity | -10°C ~ +55°C (+14°F ~ +131°F) / Less than 90% RH |
| Storage Temperature / Humidity | -30°C ~ +60°C (-22°F ~ +140°F) / Less than 90% RH |
| ELECTRICAL | |
| Input Voltage / Current | PoE (IEEE802.3af, Class2) |
| Power Consumption | Max. 5.4W |
| MECHANICAL | |
| Color / Material | Ivory / Plastic |
| Dimensions (WxH) | Ø119.8 x 98.8mm (Ø4.72" x 3.89") |
| Weight | 290g (0.64 lb) |

* The latest product information / specification can be found at www.samsungsecurity.com

* Data recorded on an SD memory card may be lost or damaged by data access during power-off, mechanical shock, memory card detachment, or other operations. Data loss or damage can also occur when a memory card reaches end of life, which varies according to operational conditions. No guarantee is given against damage (including passive damage).

SNV-L6083R

2Megapixel Full HD Vandal-Resistant
Network IR Dome Camera

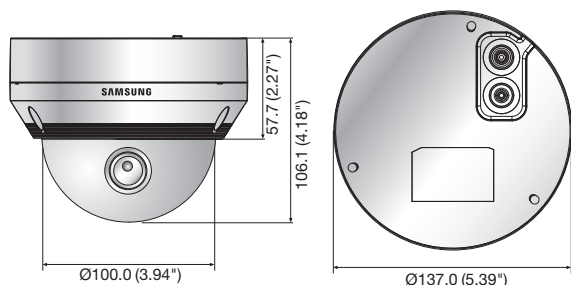


Key Features

- Max. 2M (1920 x 1080) resolution
- 2.8 ~ 12mm (4.3x) varifocal lens
- 0.095Lux@F1.4 (Color), 0Lux@F1.4 (B/W : IR LED on)
- 30fps@all resolutions (H.264)
- H.264, MJPEG dual codec, Multiple streaming
- Motion detection, Tampering, DWDR
- micro SD/SDHC memory slot, PoE
- IR viewable length 20m, IP66, IK10
- Hallway view support (Rotate 90°/270°)
- LDC support (Lens Distortion Correction)

Dimensions

Unit : mm (inch)



Accessories (Optional)



* Data recorded on an SD memory card may be lost or damaged by data access during power-off, mechanical shock, memory card detachment, or other operations. Data loss or damage can also occur when a memory card reaches end of life, which varies according to operational conditions. No guarantee is given against damage (including passive damage).

SNV-L6083RN/P

| | |
|-----------------------------------|--|
| VIDEO | |
| Imaging Device | 1/2.9" 2.19M CMOS |
| Total Pixels | 2,000(H) x 1,121(V) |
| Effective Pixels | 1,984(H) x 1,105(V) |
| Scanning System | Progressive |
| Min. Illumination | Color : 0.095Lux (1/30sec, F1.4), 0.002Lux (2sec, F1.4) B/W : 0Lux (IR LED on) |
| LENS | |
| Focal Length (Zoom Ratio) | 2.8 ~ 12mm (4.3x) varifocal |
| Max. Aperture Ratio | F1.4 |
| Angular Field of View | H : 103.8°(Wide) ~ 32.4°(Tele) / V : 53.7°(Wide) ~ 18.4°(Tele) / D : 121.9°(Wide) ~ 37.1°(Tele) |
| Min. Object Distance | 0.5m (1.64ft) |
| Focus Control | Manual |
| Lens Type | DC auto iris |
| Mount Type | Board type |
| PAN / TILT / ROTATE | |
| Pan / Tilt / Rotate Range | 0° ~ 350° / 0° ~ 67° / 0° ~ 355° |
| OPERATIONAL | |
| IR Viewable Length | 20m (65.62ft) |
| Camera Title | Off / On (Displayed up to 15 characters) |
| Day & Night | True Day & Night |
| Backlight Compensation | Off / BLC |
| Contrast Enhancement (DWDR) | SSDR (Samsung Super Dynamic Range) (Off / On) |
| Digital Noise Reduction | SSNR (Off / On) |
| Motion Detection | Off / On (4ea rectangular zones) |
| Privacy Masking | Off / On (6ea rectangular zones) |
| Gain Control | Off / Low / Middle / High |
| White Balance | ATW / AWC / Manual / Indoor / Outdoor |
| LDC (Lens Distortion Correction) | Off / On (5 levels with min / max) |
| Electronic Shutter Speed | Minimum / Maximum / Anti flicker |
| Flip / Mirror | Flip / Mirror / Hallway view |
| Intelligent Video Analytics | Motion detection with metadata, Tampering |
| Alarm Triggers | Motion detection, Tampering detection, SD card error, NAS error |
| Alarm Events | File upload via FTP and E-mail, Local storage recording at event, Notification via E-mail |
| NETWORK | |
| Ethernet | RJ-45 (10/100BASE-T) |
| Video Compression Format | H.264, MJPEG |
| Resolution | 1920 x 1080, 1280 x 960, 1280 x 720, 1024 x 768, 800 x 600, 720 x 576, 640 x 480, 320 x 240 |
| Max. Framerate | H.264 : Max. 30fps at all resolutions MJPEG : Max. 1fps at 1920 x 1080, 1280 x 960, 1280 x 720, 1024 x 768, Max. 15fps at other resolution |
| Video Quality Adjustment | H.264 : Target bitrate level control, MJPEG : Quality level control |
| Bitrate Control Method | H.264 : CBR or VBR, MJPEG : VBR |
| Streaming Capability | Multiple streaming (Up to 3 profiles) |
| Audio I/O | Line in |
| Audio Compression Format | G.711 u-law / G.726 selectable G.726 (ADPCM) 8KHz, G.711 8KHz, G.726 : 16Kbps, 24Kbps, 32Kbps, 40Kbps |
| Audio Communication | Uni-directional audio |
| IP | IPv4, IPv6 |
| Protocol | TCP/IP, UDP/IP, RTP(UDP), RTP(TCP), RTCP, RTSP, NTP, HTTP, HTTPS, SSL, DHCP, PPPoE, FTP, SMTP, ICMP, IGMP, SNMPv1/v2c/v3(MIB-2), ARP, DNS, DDNS, QoS, PIM-SM, UPnP, Bonjour |
| Security | HTTPS(SSL) login authentication, Digest login authentication IP address filtering, User access log, 802.1x authentication |
| Streaming Method | Unicast / Multicast |
| Max. User Access | 6 users at unicast mode |
| Storage | micro SD/SDHC max. 32G, NAS - Motion images recorded in the SD memory card can be downloaded - Manual recording at local PC |
| Application Programming Interface | ONVIF Profile S, G, SUNAPI (HTTP API) |
| Webpage Language | English, French, German, Spanish, Italian, Chinese, Korean, Russian, Japanese, Swedish, Danish, Portuguese, Turkish, Polish, Czech, Rumanian, Serbian, Dutch, Croatian, Hungarian, Greek, Norwegian, Finnish |
| Web Viewer | Supported OS : Windows XP / VISTA / 7 / 8 / 8.1, MAC OS X 10.7 ~ 10.10 Supported Browser : Microsoft Internet Explorer (Ver. 8 ~ 11), Mozilla Firefox (Ver. 9 ~ 35), Google Chrome (Ver. 15 ~ 40), Apple Safari (Ver. 8.0.2(Mac OS X 10.10), 7.0.6 (Mac OS X 10.9), 6.0.2 (Mac OS X 10.8, 10.7 only), 5.1.7) * Mac OS X only |
| Central Management Software | SmartViewer |
| ENVIRONMENTAL | |
| Operating Temperature / Humidity | -30°C ~ +55°C (-22°F ~ +131°F) / Less than 90% RH *Start up should be done at above -20°C (-4°F) |
| Storage Temperature / Humidity | -30°C ~ +60°C (-22°F ~ +140°F) / Less than 90% RH |
| Ingress Protection | IP66 |
| Vandal Resistance | IK10 |
| ELECTRICAL | |
| Input Voltage / Current | PoE (IEEE802.3af, Class2) |
| Power Consumption | Max. 5.8W |
| MECHANICAL | |
| Color / Material | Ivory / Metal |
| Dimensions (WxH) | Ø137.0 x 106.1mm (Ø5.39" x 4.18") |
| Weight | 670g (1.48 lb) |

* The latest product information / specification can be found at www.samsungsecurity.com

SNV-L5083R

1.3Megapixel HD Vandal-Resistant Network IR Dome Camera

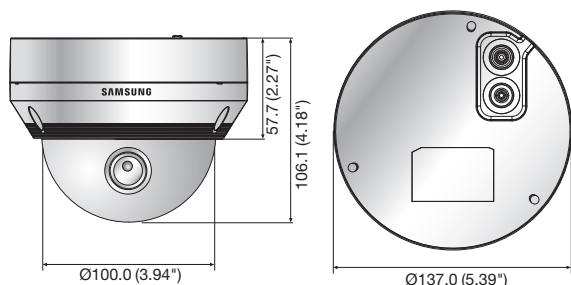


Key Features

- Max. 1.3M (1280 x 1024) resolution
- 16 : 9 HD (720P) resolution support
- 2.8 ~ 12mm (4.3x) varifocal lens
- 0.04Lux@F1.4 (Color), 0Lux@F1.4 (B/W : IR LED on)
- 30fps@all resolutions (H.264)
- H.264, MJPEG dual codec, Multiple streaming
- Motion detection, Tampering, DWDR
- micro SD/SDHC memory slot, PoE
- IR viewable length 20m, IP66, IK10
- Hallway view support (Rotate 90°/270°)
- LDC support (Lens Distortion Correction)

Dimensions

Unit : mm (inch)



Accessories (Optional)



* Data recorded on an SD memory card may be lost or damaged by data access during power-off, mechanical shock, memory card detachment, or other operations. Data loss or damage can also occur when a memory card reaches end of life, which varies according to operational conditions. No guarantee is given against damage (including passive damage).

SNV-L5083RN/P

| | |
|-----------------------------------|--|
| VIDEO | |
| Imaging Device | 1/3" 1.37M CMOS |
| Total Pixels | 1,312(H) x 1,069(V) |
| Effective Pixels | 1,305(H) x 1,049(V) |
| Scanning System | Progressive |
| Min. Illumination | Color : 0.04Lux (1/30sec, F1.4), 0.001Lux (2sec, F1.4) B/W : 0Lux (IR LED on) |
| LENS | |
| Focal Length (Zoom Ratio) | 2.8 ~ 12mm (4.3x) varifocal |
| Max. Aperture Ratio | F1.4 |
| Angular Field of View | H : 88.2°(Wide) ~ 28.6°(Tele) / V : 69.4°(Wide) ~ 23.0°(Tele) / D : 117.3°(Wide) ~ 36.2°(Tele) |
| Min. Object Distance | 0.5m (1.64ft) |
| Focus Control | Manual |
| Lens Type | DC auto iris |
| Mount Type | Board type |
| PAN / TILT / ROTATE | |
| Pan / Tilt / Rotate Range | 0° ~ 350° / 0° ~ 67° / 0° ~ 355° |
| OPERATIONAL | |
| IR Viewable Length | 20m (65.62ft) |
| Camera Title | Off / On (Displayed up to 15 characters) |
| Day & Night | True Day & Night |
| Backlight Compensation | Off / BLC |
| Contrast Enhancement (DWDR) | SSDR (Samsung Super Dynamic Range) (Off / On) |
| Digital Noise Reduction | SSNR (Off / On) |
| Motion Detection | Off / On (4ea rectangular zones) |
| Privacy Masking | Off / On (6ea rectangular zones) |
| Gain Control | Off / Low / Middle / High |
| White Balance | ATW / AWC / Manual / Indoor / Outdoor |
| LDC (Lens Distortion Correction) | Off / On (5 levels with min / max) |
| Electronic Shutter Speed | Minimum / Maximum / Anti flicker |
| Flip / Mirror | Flip / Mirror / Hallway view |
| Intelligent Video Analytics | Motion detection with metadata, Tampering |
| Alarm Triggers | Motion detection, Tampering detection, SD card error, NAS error |
| Alarm Events | File upload via FTP and E-mail, Local storage recording at event, Notification via E-mail |
| NETWORK | |
| Ethernet | RJ-45 (10/100BASE-T) |
| Video Compression Format | H.264, MJPEG |
| Resolution | 1280 x 1024, 1280 x 960, 1280 x 720, 1024 x 768, 800 x 600, 720 x 576, 640 x 480, 320 x 240 |
| Max. Framerate | H.264 : Max. 30fps at all resolutions MJPEG : Max. 1fps at 1280 x 1024, 1280 x 960, 1280 x 720, 1024 x 768, Max. 15fps at other resolution |
| Video Quality Adjustment | H.264 : Target bitrate level control, MJPEG : Quality level control |
| Bitrate Control Method | H.264 : CBR or VBR, MJPEG : VBR |
| Streaming Capability | Multiple streaming (Up to 3 profiles) |
| Audio I/O | Line in |
| Audio Compression Format | G.711 u-law / G.726 selectable G.726 (ADPCM) 8KHz, G.711 8KHz, G.726 : 16Kbps, 24Kbps, 32Kbps, 40Kbps |
| Audio Communication | Uni-directional audio |
| IP | IPv4, IPv6 |
| Protocol | TCP/IP, UDP/IP, RTP(UDP), RTP(TCP), RTCP, RTSP, NTP, HTTP, HTTPS, SSL, DHCP, PPPoE, FTP, SMTP, ICMP, IGMP, SNMPv1/v2c/v3(MIB-2), ARP, DNS, DDNS, QoS, PIM-SM, UPnP, Bonjour |
| Security | HTTPS(SSL) login authentication, Digest login authentication IP address filtering, User access log, 802.1x authentication |
| Streaming Method | Unicast / Multicast |
| Max. User Access | 6 users at unicast mode |
| Storage | micro SD/SDHC max. 32G, NAS - Motion images recorded in the SD memory card can be downloaded - Manual recording at local PC |
| Application Programming Interface | ONVIF Profile S, G, SUNAPI (HTTP API) |
| Webpage Language | English, French, German, Spanish, Italian, Chinese, Korean, Russian, Japanese, Swedish, Danish, Portuguese, Turkish, Polish, Czech, Rumanian, Serbian, Dutch, Croatian, Hungarian, Greek, Norwegian, Finnish |
| Web Viewer | Supported OS : Windows XP / VISTA / 7 / 8 / 8.1, MAC OS X 10.7 ~ 10.10 Supported Browser : Microsoft Internet Explorer (Ver. 8 ~ 11), Mozilla Firefox (Ver. 9 ~ 35), Google Chrome (Ver. 15 ~ 40), Apple Safari (Ver. 8.0.2(Mac OS X 10.10), 7.0.6 (Mac OS X 10.9), 6.0.2 (Mac OS X 10.8, 10.7 only), 5.1.7) * Mac OS X only |
| Central Management Software | SmartViewer |
| ENVIRONMENTAL | |
| Operating Temperature / Humidity | -30°C ~ +55°C (-22°F ~ +131°F) / Less than 90% RH *Start up should be done at above -20°C (-4°F) |
| Storage Temperature / Humidity | -30°C ~ +60°C (-22°F ~ +140°F) / Less than 90% RH |
| Ingress Protection | IP66 |
| Vandal Resistance | IK10 |
| ELECTRICAL | |
| Input Voltage / Current | PoE (IEEE802.3af, Class2) |
| Power Consumption | Max. 5.8W |
| MECHANICAL | |
| Color / Material | Ivory / Metal |
| Dimensions (WxH) | Ø137.0 x 106.1mm (Ø5.39" x 4.18") |
| Weight | 670g (1.48 lb) |

* The latest product information / specification can be found at www.samsungsecurity.com

HEAD OFFICE

86 Cheonggyecheon-ro Jung-gu Seoul 04541 Korea
Tel : +82-2-729-5277, 5254 Fax : +82-2-729-5489
www.samsungsecurity.com

SAMSUNG TECHWIN EUROPE LTD.

2nd Floor, No. 5 The Heights, Brooklands, Weybridge, Surrey,
KT13 0NY, UK
Tel : +44-1932-82-6700 Fax : +44-1932-82-6701
www.samsungsecurity.co.uk

SAMSUNG TECHWIN AMERICA Inc.

100 Challenger Rd, Suite 700 Ridgefield Park, NJ 07660
Toll Free : +1-877-213-1222 Direct : +1-201-325-6920
Fax : +1-201-373-0124
www.samsung-security.com

SAMSUNG TECHWIN AMERICA Inc.

Latin America Branch Office
5200 Blue Lagoon Dr, Ste 210, Miami, FL, 33126
Tel : +1-305-728-0975 Fax : +1-305-351-8900
www.samsung-security.com

SHANGHAI SAMSUNG TECHWIN CO., LTD.

32F, Blk B, New Caohejing International Business Center,
No. 391 Guiping Rd., Shanghai, China, 200233
Tel : +86-21-5427-1155 Fax : +86-21-5423-5122
www.samsungsecurity.cn

© 2015 HANWHA TECHWIN CO., LTD. ALL RIGHTS RESERVED.

DESIGN AND SPECIFICATIONS ARE SUBJECT TO CHANGE WITHOUT NOTICE
Under no circumstances, this document shall be reproduced, distributed or changed,
partially or wholly, without formal authorization of Hanwha Techwin Co., Ltd.,
WiseNet, LiteNet, SSNR are trademarks of Hanwha Techwin Co., Ltd.

