

HD Analog Day/ Night Fixed IR Dome Camera

Panasonic

CV-CFN103L CV-CFN103LN

Smart look Indoor Day/ Night Fixed Dome Camera with IR illuminator



Specifications

Parameter	CV-CFN103L	CV-CFN103LN
Camera		
Image Sensor	1/2.9" 1.0 Mega Pixels CMOS	
Effective Pixels	1280 (H) x 720 (V)	
Min Illumination	0.05Lux/ F1.6, 0Lux IR on	
Electronic Shutter	1/50s~1/100,000s	1/60s~1/100,000s
Video Frame Rate	25fps	30fps
Synchronization	Internal	
Day & Night	Auto (ICR)/ Color/ B/W	
Max IR Distance	20m	
Digital Noise Reduction	2D	
White Balance	Auto	
AGC	Auto	
BLC	Auto	
Lens		
Focal Length	3.6 mm	
Angular Field of View	H: 88° V: 46°	
Lens Type	M12	
Input / Output		
Video Output	1 CH BNC HD-CVI video output	
General		
Power	DC 12V±25%	
Power Consumption	2.2W MAX	
Working Temperature	-30°C~+60°C. Less than 95% RH (no condensation)	
Dimensions	Φ85 mm x 69 mm	
Weight (approx.)	100g	
Installation Mode	Wall mount/ In-ceiling mount	
External Case	Plastic	

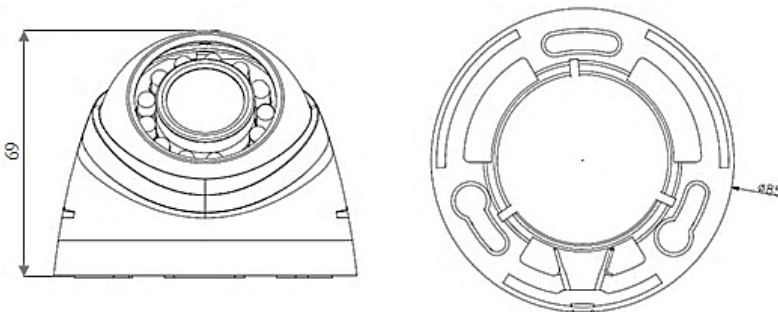
Key Features

- High-performance CMOS image sensor.
- Support 720p@25fps (PAL)/ 30fps (NTSC)
- Support 75-3 coaxial cable (Belden 9259 or equivalent) transmission up to 800m.
- High speed & long distance real-time transmission.
- Support ICR for day time and night time operation.
- Support auto exposure, auto white balance, auto electronic shutter and auto gain function.
- Support DC12V power supply.

Standard Accessories

- Quick guide.....1 pc
- Important safety instruction.....1 pc

Appearance



Important

- Safety Precaution: Carefully read the operating instruction manual before using this product.

- All pictures are simulated.
- Weights and dimensions are approximate.
- Specifications are subject to change without notice.
- These products may be subject to export control regulations.

DISTRIBUTED BY: